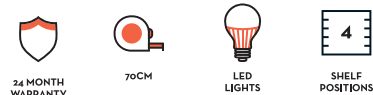


70CM INTEGRATED REFRIGERATOR & FREEZER

MODEL AINT7000

 **ARTUSI**
THE ART OF LIVING



PRODUCT INFORMATION

FEATURES

- electronic touch control display
- super cool function
- super freezing function
- ECO function
- holiday function
- door open alarm
- reversible door
- frost free
- safety glass shelves
- full height LED panel illuminates the entire fridge

CAPACITY

- refrigerator: 255L net
- fresh zone compartment: 34L net
- freezer: 86L net
- Total gross: 350L
- Total net: 341L

TEMPERATURE RANGE

- Fridge: 5°C - 2°C
- Fresh Zone: 3°C - -3°C
- Freezer: -15°C - -25°C

COMPARTMENTS

- 3 freezer drawer compartments
- 4 fridge adjustable shelves
- 1 x vegetable crisper drawer
- 1 x meat storage drawer
- 1 x large door shelf
- 3 x medium door shelves

ACCESSORIES

- 1 x egg tray
- 1 x ice tray

TECHNICAL INFORMATION

- 4-Star energy rating (freezer compartment)
- 3 Star energy rating (refrigerator)
- 2m power cord
- 690W x 1937H x 550D
- max. door weight: 15kgs per door

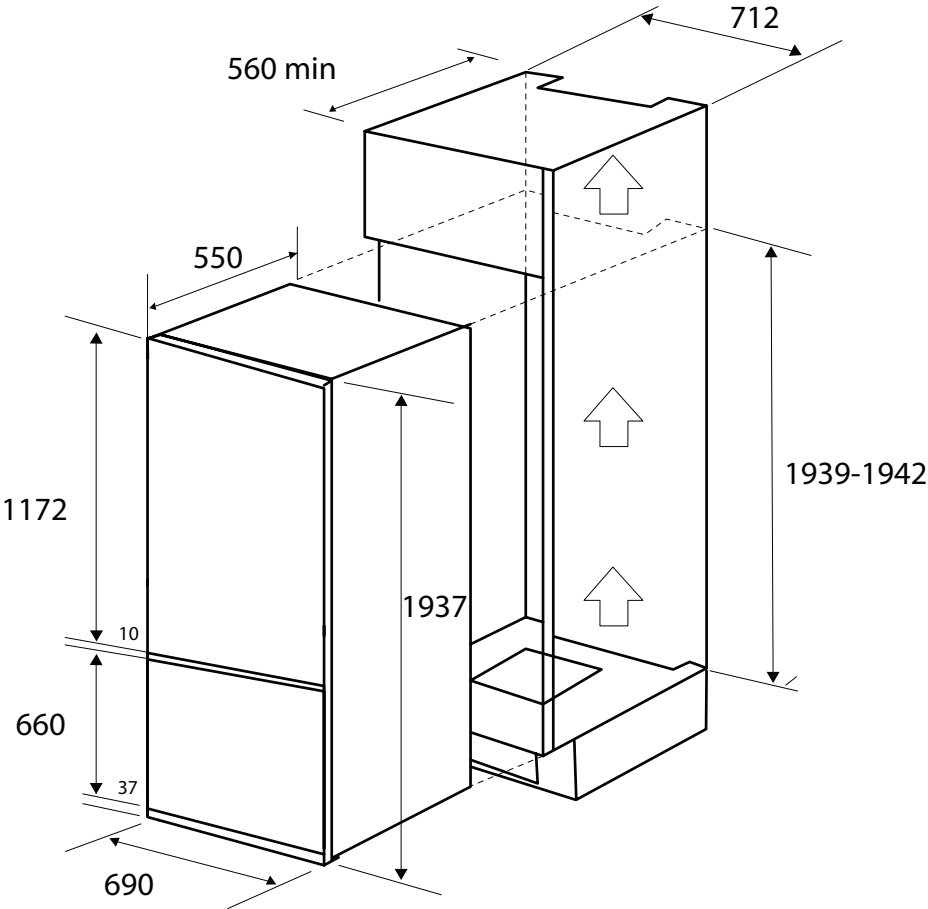
DISCLAIMER

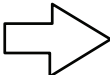
Eurolinx PTY LTD, is continually seeking ways to improve the design specifications, aesthetics and production techniques of its products. As a result alterations to our products and designs take place continually. Whilst every effort is made to produce information and literature that is up to date, this brochure should not be regarded as an infallible guide to the current specifications, nor does it constitute an offer for the sale of any particular product. Product dimensions indicated in our literature is indicative only. Actual product only should be used to define dimension cut outs. Distributors, and retailers are not agents of Eurolinx and are not authorized to bind Eurolinx by any express or implied undertaking or representation.



70CM INTEGRATED REFRIGERATOR & FREEZER

MODEL AINT7000



 = airflow

NB: drawings are not to scale — they are to be used for detailed installation instructions, please refer to user guide.